

## SMARTPHONE HOLDER

#80218 (17232) RIGID TYPE  
#80219 (17234) DETACHABLE TYPE

### PRODUCT FEATURES

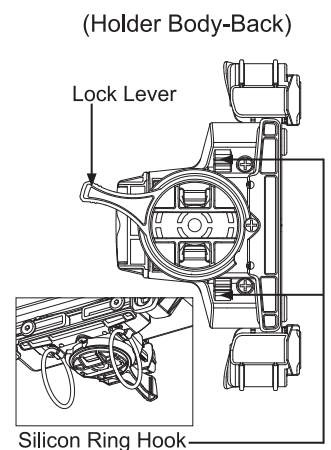
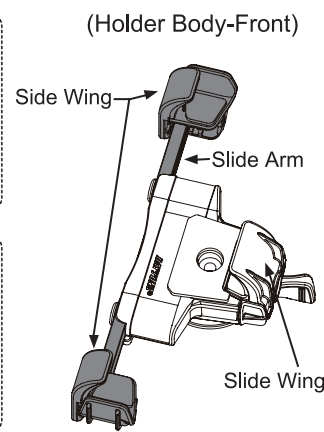
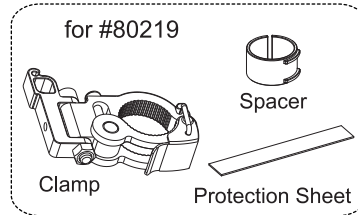
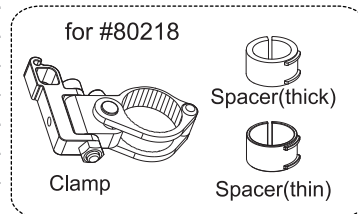
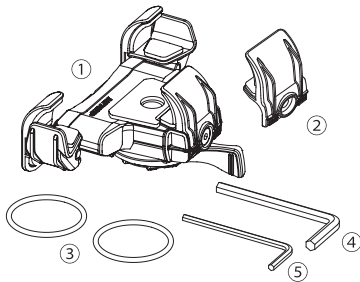
- 2-types (RIGID/DETACHABLE) available
- Width adjustable 55 ~ 85mm
- Length adjustable 123 ~ 170mm
- Depth for 6 ~ 18mm
- Body rotates 360 degrees
- Weight for up to 300g
- Clamp for  $\varnothing 22 \sim 29$ mm handlebars
- Holds the phone securely from 3 directions

### CAUTION

- \* Read all instructions before use.
- \* Check if all the components are correctly supplied before use.
- \* Never operate phone/navigation or stare at their screen while driving. This is very dangerous.
- \* Use SMARTPHONE HOLDER for the intended purpose of use.
- \* SMARTPHONE HOLDER doesn't offer waterproof or protection for surroundings.
- \* Be responsible for protection against theft. Daytona is not liable for theft of SMARTPHONE HOLDER or mounted devices.
- \* Be responsible for installation and use of SMARTPHONE HOLDER & mounted device. Daytona is not liable for any accidents or damages caused by misuse or wrong installation.
- \* After installation, check to see if all the parts are correctly installed, and all the screws are properly tightened.
- \* Inspect all installed parts after 100km(60mile) driving. Periodical inspection is required every 500km(300mile).
- \* If anything unusual found while driving, pull over at a safe place to check.

### COMPONENTS

NO.	DESCRIPTION	Q'TY
①	Holder Unit	1
②	Slide Wing (High)	1
③	Silicon Ring	2
④	Hex Wrench (5mm)	1
⑤	Hex Wrench (3mm)	1



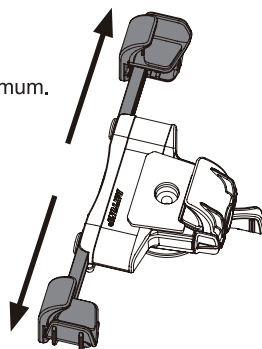
### HOW TO ASSEMBLE & INSTALL

#### [1] Adjust the holder body to fit your device.

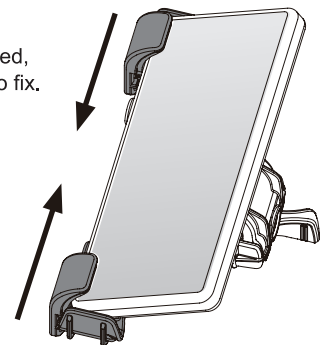
##### [ length ]

Loosen the adjustment bolts of Slide Arm using Hex Wrench (3mm) and expand the Slide Arm to the maximum. Temporarily attach the device for positioning and adjust the Slide Arm to the overall length of the device.

- ★ The adjustment bolts of Slide Arm are temporarily tightened. Be sure to tighten them before actual use.

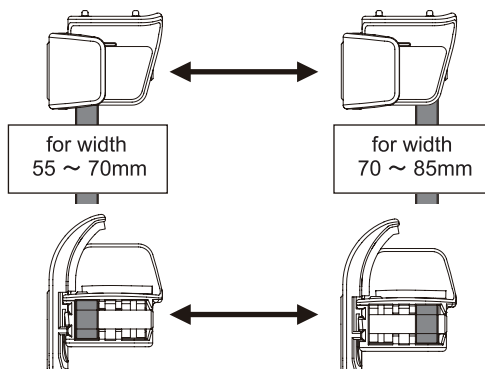


Once the position is determined, tighten the adjustment bolts to fix.

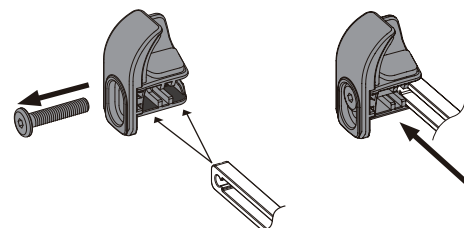


##### [ width ]

If the width of the device is 70mm or more, change the position of Side Wing.



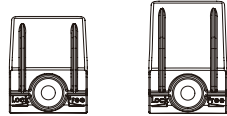
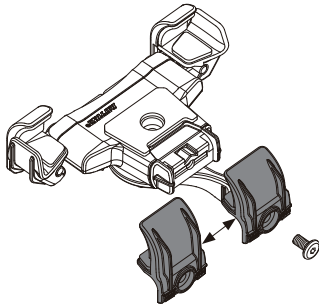
Remove the bolt of Side Wing using Hex Wrench(3mm). Insert the Slide Arm to suitable position and fix again.



- ★ The bolt of Side Wing is temporarily tightened. Be sure to tighten it before actual use.

### [ depth ]

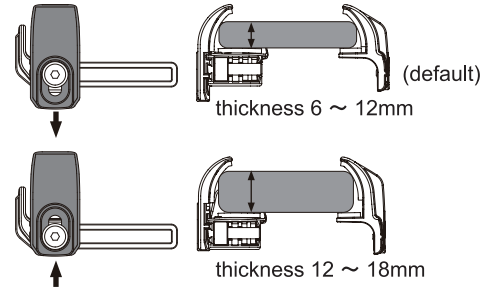
Daytona Smartphone Holder comes with 2 types of Slide Wing (Low/High) and the lower one is installed by default. According to the thickness of your device, choose the suitable Slide Wing and assemble using Hex wrench(3mm).



Low (default) for thickness 6 ~ 12mm  
High for thickness 12 ~ 18mm

★ The bolt of Slide Wing is temporarily tightened. Be sure to tighten it before actual use.

If the Slide Wing (High) is selected, also adjust the position of Side Arms.



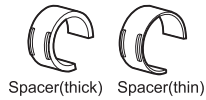
### [2] Mount onto the handlebar

#### [ for 80218 RIGIT TYPE ]

Disassemble the clamp, wrap the handlebar and shut the arms.

Insert the appropriate plastic spacer between the clamp and the handlebar depending on bar diameter.

- for  $\phi 22\text{mm}$ : thick spacer
- for  $\phi 25\text{mm}$ : thin spacer
- for  $\phi 29\text{mm}$ : without spacer



Insert the roll nut in the all 3 holes.

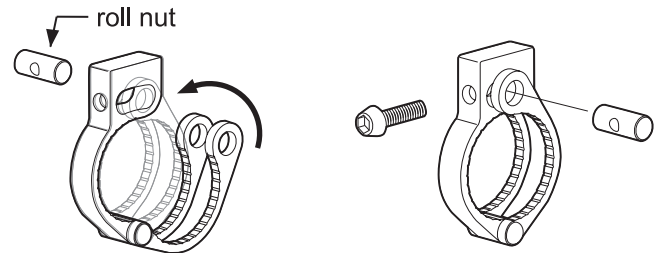
Make sure the thread hole on the roll nut can be seen through the hole beside the clamp body.

Screw the bolt to the thread hole on the roll nut.

Be sure you must screw the bolt with your fingers for the first 3-4 revolutions, then use the 5mm Hex Wrench to fix the clamp securely.

(!) You should not use the Hex Wrench from the beginning. If the bolt has been slanted, it will destroy the roll nut.

(!) Be sure the roll nut is made of soft alloy material. Do not force to tighten, otherwise the thread hole will be broken.



#### [ for 80219 DETACHABLE TYPE ]

Choose the Spacer or Protection Sheet according to diameter of handlebar.

Wrap the Spacer or Protection Sheet around the handlebar.

Put the clamp on it and shut the arm. Hook the metal ring.

Adjust the adjusting screw so you feel a slight resistance when closing the lever to the midway point.

If you hear clicking sound when completely closing the lever, it's the sign of correct installation.

If you don't hear any sound, the clamp is still loose.

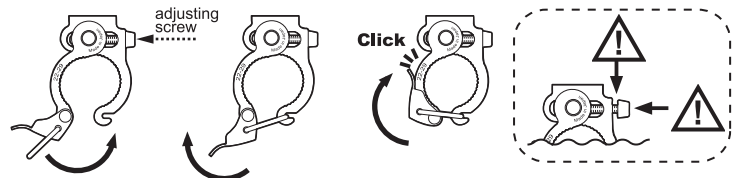
Release the lever and tighten the adjusting screw a little more.

(!) Make sure the adjusting screw is fully retracted into the clamp body.

Failure to do so may cause the holder to fall off your bar.

(!) Do not try to tighten the adjusting screw after closing the clamp instead of adjusting the screw properly.

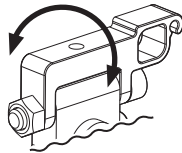
for  $\phi 22 \sim 25.4\text{mm}$  : Spacer  
for  $\phi 25.4 \sim 29\text{mm}$  : Protection Sheet  
(!) Only in case of clamping  $\phi 22\text{mm}$ (7/8") handlebar, you need to cut the plastic spacer approximately 10mm.



### [3] Adjust the neck angle

Neck angle is adjustable right and left.

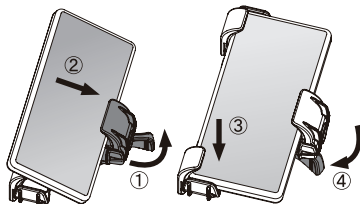
Loosen the M6 bolt & nut using tools and adjust the angle then firmly tighten again.



## HOW TO USE

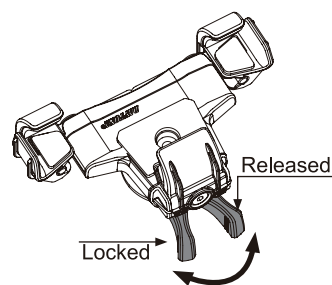
#### [ attach the device to the holder ]

- ① Release the lock lever.
- ② Put the device on holder while pushing the Slide Wing.
- ③ Insert the other side and fix by Side Wings.
- ④ Lock the Slide Wing by lock lever.



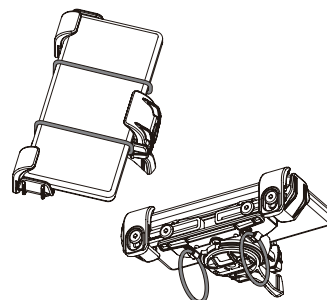
#### [ How to operate the lock lever ]

- ☆ Be sure to set the lever to the locked position after installing the device.
- ☆ when attaching or detaching the device, be sure to do it when the lever is released.



#### [ Using Silicon Rings ]

- ☆ Be sure to use silicon rings to prevent the device from falling out.
- ☆ Be sure to check the silicon bands before each use. If any cracks, replace with new ones immediately.



#### [ Adjust the angle ]

- ☆ The holder body can be rotated 360° by hand.
- ☆ Slowly turn it to adjust the angle as you like.
- ⚠ Adjustments while driving are strictly prohibited. Be sure to determine the position before driving.

